

# **GSA PRICE LIST**

---



---

**JACOBSEN<sup>®</sup>**  
A Textron Company

## ***Turf Products***

---

**GSA CONTRACT #GS-06F-0042K**

**FSC Group 37, Hardware SuperStore for Lawn and Garden Equipment**

**Mod #PO-0030**

**Effective February 12, 2007**

---

# **TOURNAMENT GOLF PRICE LIST CONTENTS**

---

## **Product Line / Model**

**Page  
Revision Date**

**Page  
Number**

### **Greens and Tee Mowers**

---

PGM 22™	3 - 4
Greens King™ 518A, 522A, 526A	3 - 4
Tournament Cut-22	5
E-Walk	6
Mower Caddy	4
Greens King™ IV	7
Jacobsen G-Plex® III	8 - 9
Jacobsen E-Plex™ II	10
Turf Groomer® for Riding Greens Mowers and LF Mowers	18

### **Fairway and Trim Mowers**

---

Tri-King® Triplex Mowers 1900 Series	11
TR3® Triplex Mower	12
Super LF-1880	13
LF-3400™ / LF-3800™	14 - 15
LF-4675™ / LF-4677™	16 - 17
Turf Groomer® for Riding Greens Mowers and LF Mowers	18

### **Turfcat® Out-Front Rotaries**

---

600 Series Turfcat®	19 - 20
---------------------	---------

### **Large Area Rotary Mowers**

---

HR-4600™ Turbo	21
HR-6010™ 4WD	22
HR-5111™ 4WD	23
HR-9016™ Turbo	24
AR-5	25

### **Renovation and Finishing Equipment**

---

214 Verticut	26
--------------	----

### **Aerators**

---

GA 24 Greens Aerator	27
----------------------	----



Model Number	Description	Shipping Weight	GSA Price
--------------	-------------	-----------------	-----------

**Walking Greens Mowers**

All PGM and Greens King™ 500A series mowers feature new D-handles and *InCommand Control Systems* with Operator Presence Controls (OPC), a new variable speed control feature which allows an operator to easily increase or decrease the forward speed of the machines with no effect on the clip rate, a 4.0 hp Honda engine, grass catcher, band type brakes and jackstand. *Less front roller and less transport wheels.*

063280	PGM 22" w/11 blade reel and .20" low profile bedknife.....	299	\$5,697.00
063281	18" Greens King 518A w/11 blade reel, super tournament bedknife.....	332	6,072.00
063282	22" Greens King 522A w/11 blade reel, super tournament bedknife.....	355	6,081.00
063285	26" Greens King 526A w/7 blade reels high profile bedknife .....	370	6,823.00

**Note: One roller required per walking Greens Mower without Groomer Kit.**

068616	18" Grooved machined steel roller .....	16	\$220.00
068626	2-3/16" x 18" Solid tube roller, with scraper.....	20	256.00
068527	22" Grooved assembly/disc roller .....	10	190.00
068673	22" Grooved segmented front roller .....	8	217.00
068530	22" Smooth roller, with scraper .....	7	150.00
068641	22" Solid tube roller, with scraper .....	18	212.00
068613	22" Grooved machined steel roller .....	18	212.00
068614	22" Grooved machined aluminum roller .....	8	212.00
068617	26" Grooved machined aluminum roller .....	10	253.00
068628	26" Grooved machined steel roller .....	24	325.00
068627	26" Solid tube roller, with scraper.....	26	305.00

**Walking Greens Mower Options and Accessories**

062293	Wheel Kit, Pneumatic Transport Tires .....	8	\$249.00
068121	Grass catcher PGM 22 .....	6	195.00
068122	Grass catcher 518 .....	8	195.00
068123	Grass catcher 522 .....	10	195.00
068124	Grass catcher 526 .....	10	195.00
068500	22" Push brush attachment PGM .....	8	378.00
068611	22" Push brush attachment 522 .....	10	356.00
068536	22" Front roller fine bristle brush PGM and 522 .....	2	56.00
068624	18" Turf Groomer®, roller & blade assemblies 518.....	30	1,663.00
068579	22" Turf Groomer®, roller & blade assemblies PGM.....	28	1,677.00
067935	22" Turf Groomer®, roller & blade 522, .50" spacing ..	32	\$1,631.00
068605	22" Turf Groomer®, roller & blade assemblies 522, .25" spacing .....	32	1,631.00
5002962	Light kit.....		Call for pricing



Model Number	Description	Shipping Weight	GSA Price
--------------	-------------	-----------------	-----------

**Mower Caddy™ Walking Greens Mower Trailer**

068648	Low profile, single mower trailer with a 10-gauge reinforced deck utilizing 16x7.5-8 4-ply pneumatic tires, 1" axles, replaceable carrier bushings, 2"x2" tubular steel tongue hitch with bolted on clevis, over center (eccentric) swivel handle to control deck raise/lower, automatically protects bedknife and front roller setting. Requires mounting kit. (see below) .....		\$786.00
--------	---	--	----------

*Note: Purchase ball-type hitch locally*

Mounting Kits include hub mounts and mower retaining bar:

068649	To mount Jacobsen 418 / 518 & 518A mowers.....		193.00
068650	To mount Jacobsen 422 / 522 / 522A & E-Walk .....		173.00
068651	To mount Jacobsen 426 / 526 & 526A mowers.....		173.00
068652	To mount Jacobsen PGM 22.....		173.00
068672	To mount Tournament Cut 22 .....		173.00
068660	Trailer Mount Battery Kit (to mount E-Walk Battery Pack onto Trailer) .....		92.00



Model Number	Description	Shipping Weight	GSA Price
--------------	-------------	-----------------	-----------

**Tournament Cut-22™ Walking Greens Mower**

Tournament Cut-22™ include a Floating Head Reel, 4.0 hp Honda engine, All Gear Drive, automotive style drum brakes, automotive friction clutch Operator Presence Control, rollers, catcher, less transport wheels and kickstand.

062291	Tournament Cut-22" w/9 blade reel and .080" (1.5mm) Std bedknife .....	206	\$7,121.00
--------	--	-----	------------

**Tournament Cut-22™ Options and Accessories**

062292	Turf Groomer - Tournament Cut-22 (field installed) .....	9	\$1,433.00
062295	Wheel Kit, Incl. Pneumatic tires and Jack Stand, after sn. 2191 .....	10	305.00
062294	Smooth Front Roller (Option – Replaces front grooved roller) .....	10	153.00
5002962	Light Kit .....	Call for pricing	



Model Number	Description	Shipping Weight	GSA Price
--------------	-------------	-----------------	-----------

**Jacobsen E-Walk, Greens Mowers**

E-Walks feature new D-handles and *InCommand Control Systems* with Operator Presences Controls (OPC), grass catcher, band type brakes and jackstand. Includes two 48 volt brushless DC weather sealed motors, Removable 48 Volt Battery Pack w/four 20-amp/hour sealed lead acid batteries, 5-Amp (dual voltage) Charger, independent reel speed adjustment and includes a 5" 11-blade reel. Less front roller and transport wheels.

(N) 063390	E-Walk, Battery Powered Greens Mower .....	223	\$7,375.00
------------	--	-----	------------

**Note: One roller required per walking Greens Mower.**

068527	22" Grooved assembly/disc roller .....	10	\$190.00
068673	22" Grooved segmented front roller .....	8	217.00
068530	22" Smooth roller, with scraper .....	7	150.00
068613	22" Grooved machined steel roller .....	18	212.00
068614	22" Grooved machined aluminum roller .....	8	212.00

**E-Walk Options and Accessories**

062293	Wheel Kit, Pneumatic Transport Tires .....	10	\$249.00
068123	Grass catcher (22") .....	10	195.00
068611	22" Push brush attachment .....	10	356.00
068659	48 volt Light Kit.....		100.00
068661	5-Amp Battery Charger.....	5	307.00
068668	Battery Box Assembly less the four 411377 batteries .....	5	277.00
4121377	20-amp/hour sealed lead acid battery, - (3 required per 48V Battery Pack), ...		Call for pricing
068660	Trailer Mounting Kit for battery box (to mount E-Walk Battery Pack onto Trailer) (see mower caddy 68648 for further available attachments)		92.00



Model Number	Description	Shipping Weight	GSA Price
--------------	-------------	-----------------	-----------

**Greens King™ IV**

Greens King IV units feature modern styling, hydraulic drive, individual reel control, power back lapping, one piece seat, grass catchers, dynamic braking, parking brakes, battery and 18 x 9.50-8 smooth tires. *GreensCare* biodegradable hydraulic fluid standard. **Units do not include cutting units or front rollers**

062287	Greens King IV, 16 hp gas, Briggs Vanguard engine, less cutting units ..	1,135	\$13,511.00
062288	Greens King IV Plus, 18 hp gas, Briggs Vanguard engine, power steering, less cutting units .....	1,140	15,626.00
062289	Greens King IV Plus, 19 hp diesel, Kubota engine, power steering, less cutting units.....	1,295	19,011.00

**Greens King IV Cutting Units**

**Note: Greens King IV requires 2 right hand and 1 left hand cutting units**

068550	Right hand vertical mower assembly, .75" spacing, front and rear rollers included. Less motor .....	50	\$1,197.00
068549	Left hand vertical mower assembly, .75" spacing, front and rear rollers included. Less motor .....	50	1,197.00
068588	Right hand 7 blade fairway reel. Less motor and front roller .....	65	1,152.00
068589	Left hand 7 blade fairway reel. Less motor and front roller .....	65	1,152.00
068600	Right hand 9 blade greens reel. Less motor and front roller .....	58	1,206.00
068599	Left hand 9 blade greens reel. Less motor and front roller.....	58	1,206.00
068622	Right hand 11 blade greens reel. Less motor and front roller .....	60	1,279.00
068621	Left hand 11 blade greens reel. Less motor and front roller.....	60	1,279.00

**Greens King IV Rollers**

**Note: Three front rollers required per Triplex mower with Groomer Kit.**

068527	Grooved assembly/disc front roller .....	10	\$190.00
068530	Solid tube front roller with scraper.....	7	150.00
068613	Grooved machined steel front roller .....	18	212.00
068614	Grooved machined aluminum front roller .....	8	212.00
068673	Grooved segmented front roller.....	8	217.00

**Greens King IV Options and Accessories**

4139431	Arm Rest Kit (replaces 66156) .....	8	\$64.00
067891	Grass catcher .....	10	192.00
068536	22" front roller fine bristle brush .....	2	56.00
068643	Rear roller cleaning brush (with or without Turf Groomer) .....	8	380.00
068594	(Set of 3) High cut roller kit, cut above 7/8" height (3" grooved front roller and extension brackets for rear rollers).....	66	1,020.00
068634	High cut front roller kit to extend range to 15/16" .....	8	64.00
066172	Basic seat, gray – does not include seat slide adjusters or pouch.....	25	242.00
068664	(Set of 3) Quick Roll™ greens roller (for 62287, 88 and 89 requires 2811909 & 2812316; for GK IV's prior to 62287 requires 2812315 & 2812316) .....	332	2,849.00
068665	(Set of 3) Spiker w/frame assembly, 2" spacing, 30 blades (for 62287, 88 & 89 requires 2811909 & 2812316; for GK IV's prior to 62287 requires 2812315 & 2812316).....	285	2,650.00
2811909	Light, Broom and Hydraulic Motor Storage Kit (for 62287, 88 and 89) .....		Call for pricing
2811910	Light Kit (requires 2811909) .....		Call for pricing
2812315	Reel Motor Storage Kit, for use with Quick Rollers and Spikers (requires 2812316 for GK IV's prior to 62287) .....		Call for pricing
2812316	Mounting Kit for Quick Roller and Spiker .....		Call for pricing

**Note: For Turf Groomer® application and price, see Turf Groomer section (page 18) in this price list.**



Model Number	Description	Shipping Weight	GSA Price
--------------	-------------	-----------------	-----------

**Jacobsen G-Plex III**

G-Plex III units include GreensCare biodegradable hydraulic fluid, swing out center cutting unit, heavy-duty welded steel tubing construction, hydrostatic drive, power steering with adjustable steering arm, quick-attach cutting units, steering column mounted reel raise/lower control, ammeter, fuel gauge, hour meter, hand throttle, hydraulic reel drive, 20.00 x 10.00 - 10 2-ply tubeless, smooth tread tires, tool box, headlights and one piece seat. Less cutting units, front rollers, and grass catchers. Backlap optional on G-Plex III Gasoline, standard on G-Plex III Diesel.

062704	G-Plex III, 18 hp 4-cycle, 2-cylinder, Briggs Vanguard air-cooled gas engine, hand operated choke, 15-amp alternator.....	1,358	\$16,277.00
062705	G-Plex III, 18.8 hp 4-cycle, 3-cylinder, Kubota D722 liquid-cooled diesel engine, water temperature gauge, glow plug switch and indicator, 40-amp alternator.....	1,394	20,799.00

**Jacobsen G-Plex III Cutting Units (Dealer Installed)**

067135	Cutting units, 22" Greens (3 required), 11-blade (includes smooth rear roller) .		\$1,189.00
067136	Cutting units, 22" Greens (3 required), 9-blade (includes smooth rear roller) ...		1,220.00
067137	Cutting units, 22" Tees (3 required), 7-blade (includes smooth rear roller).....		1,251.00
067138	Cutting units, Verticut, (3 required), .75" spacing with smooth front and rear roller .....		1,174.00

**Jacobsen G-Plex III Rollers (Dealer Installed)**

068530	2" Smooth front roller (3 required) with scraper, sealed .....		\$150.00
068613	2" Grooved steel front roller (3 required), sealed .....		212.00
068614	2" Grooved aluminum front roller (3 required), sealed.....		212.00
068673	2" Grooved segmented front roller (3 required) (replaces 68658) .....		217.00
892323	2" Smooth front roller (3 required) with scraper, greaseable.....		168.00
892324	2" Grooved steel front roller (3 required), greaseable .....		193.00
897177	2" Grooved aluminum front roller (3 required), greaseable .....		202.00
892328	2" Smooth rear roller scraper (1 per cutting unit required) .....		63.00

**Jacobsen G-Plex III Options and Accessories (Dealer Installed)**

062703	KIT, back lapping G-Plex III Gasoline (standard on G-Plex III Diesel model) ...		\$630.00
068664	(Set of 3) Quick Roll™ greens roller. (Requires one kit 2702018) .....	332	2,849.00
068665	(Set of 3) Spiker attachment w/frame assembly, 2" spacing, 30 blades, 3 weights. (Requires one kit 2702018) .....	285	2,650.00
2702018	KIT, roller/spiker adapter .....		407.00
894991	KIT, motor adapter (3 kits standard with current G-Plex III) to adapt additional heads only (1 per cutting unit required) .....		46.00
068643	Rear roller brush assembly (3 required) .....		380.00
4114835	Grass catcher, (1 per cutting unit required).....		216.00
062702	3-Wheel drive kit G-Plex III .....		1,970.00
(N) LMAC142	Operator Protective Structure (OPS) Frame, G- Plex III .....		747.00
(N) 4154180	KIT, 11 blade reel conversion (to convert GKVI reel for use on G-Plex III) Converts 3 reels .....		Call for pricing
(N) 4154181	KIT, 9 blade reel conversion (to convert GKVI reel for use on G-Plex III) Converts 3 reels .....		Call for pricing



Model Number	Description	Shipping Weight	GSA Price
--------------	-------------	-----------------	-----------

(N) 4154182	KIT, 7 blade reel conversion (to convert GKVI reel for use on G-Plex III) Converts		
	3 reels .....		Call for pricing
(N) 4154183	KIT, Verticut conversion (to convert GKVI reel for use on G-Plex III) Converts		
	3 reels .....		Call for pricing

**Note: For Turf Groomer® application and price, see Turf Groomer section (page 18) in this price list.**



Model Number	Description	Shipping Weight	GSA Price
--------------	-------------	-----------------	-----------

**Jacobsen E-Plex™ II**

E-Plex II units include 48-Volt DC, 3.5 hp shunt wound motor, single foot pedal with infinite variable speed, regenerative speed control, battery condition meter, hour meter, headlights, 6" diameter disc brakes with park brake latch, 20.00 x 10.00 - 10 tires, w/lift-out battery rack, 894996 motor adapter kits to mount 67037, 67038, 67039 head assemblies. Less charger, cutting units, rollers, grass catchers and batteries.

088116	E-Plex II Tractor .....	1,696	\$18,733.00
088117	E-Plex II Tractor with Power Steering .....	1,706	21,673.00

**Jacobsen E-Plex II Rollers (Dealer Installed)**

897177	2" Grooved aluminum front roller (3 required), greaseable .....		\$202.00
068614	2" Grooved aluminum front roller (3 required), sealed .....		212.00
892324	2" Grooved steel front roller (3 required), greaseable .....		193.00
068613	2" Grooved steel front roller (3 required), sealed .....		212.00
068673	2" Grooved segmented front roller (3 required), greaseable (replaces 68658) .		217.00
892323	2" Smooth front roller (3 required) with scraper, greaseable .....		168.00
068530	2" Smooth front roller (3 required) with scraper, sealed .....		150.00
892328	2" Smooth rear roller scraper (1 per cutting unit required) .....		64.00

**Jacobsen E-Plex II Cutting Units (Dealer Installed)**

067135	Cutting units, 22" Greens (3 required), 11-blade (includes smooth rear roller) .		\$1,189.00
067136	Cutting units, 22" Greens (3 required), 9-blade (includes smooth rear roller) ...		1,220.00
067137	Cutting units, 22" Tees (3 required), 7-blade (includes smooth rear roller).....		1,251.00

**Jacobsen E-Plex II Options and Accessories (Dealer Installed)**

4139431	Arm rest kit (replaces 2196054) .....		\$64.00
4114835	Grass catcher, (1 per cutting unit required) .....		216.00
894996	KIT, motor adapter; for 67037 – 67039, 67135 – 67137, required to adapt additional heads to E-Plex (1 unit) rack (Limited Availability) .....		169.00
894309	Lift-out battery rack (Limited Availability) .....		566.00
4139851	Kit, US E-plex Charger .....		454.00
4139852	Kit, European E-plex Charger .....		501.00
895090	Actuator speed reduction kit to reduce drop rate of reels		Call for pricing

**Note:** Batteries – Call for pricing

Battery set, eight Trojan T-125 (standard use)  
 Battery set, eight Trojan T-145 (heavy use)



Model Number	Description	Shipping Weight	GSA Price
--------------	-------------	-----------------	-----------

**Tri-King<sup>®</sup>**

All Tri-King machines feature automatic 3-wheel drive, power steering, hydrostatic traction system w/single pedal control, hydraulic reel drive w/bi-directional motors for back lapping, hydraulic lift, and high back seat. **Units do not include cutting units or front rollers.**

067043	Tri-King 1900D – 19 hp Kubota liquid cooled diesel engine.....	1,365	\$18,623.00
--------	--	-------	-------------

**72" Mower Options**

All mowers include rear roller, front roller adjusters and mounting arms. Less front roller.

(1) each from this group required:

067114	(1) LH front 26" x 7-blade reel .....	165	\$1,574.00
067115	(1) RH front 26" x 7-blade reel.....	165	1,574.00
067116	(1) Center 26" x 7-blade reel .....	165	1,574.00

Vertical mowers include mower pivot arms, front and rear rollers. (Can be fitted to 84" models)

(1) each from this group required:

067139	(1) Left Front 26" Vertical mower.....		1,552.00
067140	(1) Right Front 26" Vertical mower .....		1,552.00
067141	(1) Center 26" Vertical mower .....		1,552.00

067731	(Set of 3) 26" Grooved steel front rollers .....	65	740.00
069147	(Set of 3) 26" Grooved front roller scrapers.....	7	154.00
067909	(1) 26" Rear roller scraper. (3) required.....	3	44.00
069151	(Set of 3) 26" Grass catchers, w/hardware.....	58	745.00
132639	(1) Solid 2.5" H.D. front roller (Mounting hardware not included).....		Call for pricing

**84" Mower Options**

All mowers include rear roller, front roller adjusters and mounting arms. *Less front roller.*

(For Vertical mower accessory, see 72" Mower Options above)

(1) each from this group required:

067123	(1) LH front 30" x 7-blade reel .....	185	\$1,921.00
067124	(1) RH front 30" x 7-blade reel.....	185	1,921.00
067125	(1) Center 30" x 7-blade reel .....	185	1,921.00
067729	(Set of 3) 30" Grooved steel front rollers .....	74	774.00
069148	(Set of 3) 30" Grooved front roller scrapers.....	10	154.00
067910	(1) 30" Rear roller scraper. (3) required.....	3	44.00
069150	(Set of 3) 30" Grass catchers, w/hardware.....	60	822.00
132640	(1) Solid 2.5" H.D. front roller (Mounting hardware not included)		Call for pricing

**Tri-King Accessories**

4139431	Arm Rests .....	8	\$64.00
069149	Front mounted working light kit .....	5	173.00
069157	2-Post ROPS. w/seat belt.....	115	614.00
5003062	600 rpm Reel Kit – 1900D .....		Call for pricing



Model Number	Description	Shipping Weight	GSA Price
--------------	-------------	-----------------	-----------

**TR3<sup>®</sup>**

All TR3 machines feature a 26hp Kubota liquid cooled diesel engine, hydrostatic transmission, parallel series 3-wheel drive, hydrostatic power steering with tilt wheel. *Units do not include cutting units or front rollers.*

069160	TR3 Triplex Reel Mower .....		\$24,424.00
--------	------------------------------	--	-------------

**Power Unit Options**

LMAC164	2-Post Operator Protective Structure. ....		\$720.00
---------	--	--	----------

**Cutting Units**

(1) Each from this group required:

068093	(1) LH front 26" x 7-blade reel .....	165	\$1,524.00
068094	(1) RH front 26" x 7-blade reel.....	165	1,524.00
068097	(1) Center 26" x 7-blade reel .....	165	1,524.00
067731	(Set of 3) 26" Grooved steel front rollers .....		740.00
069147	(Set of 3) 26" Grooved front roller scrapers.....		154.00
067909	(1) 26" Rear roller scraper (3 required).....		44.00
LMAC182	(Set of 3) 26" Grass catchers, gray w/hardware.....		743.00

**Accessories**

LMAC161	Back lap valve kit.....		\$416.00
LMAC163	Working Lights .....		\$173.00



Model Number	Description	Shipping Weight	GSA Price
--------------	-------------	-----------------	-----------

**Super LF 1880 Lightweight Fairway Mower**

Kubota diesel engine, standard hydrostatic traction system, hydraulic drive for 5-inch diameter x 18-inch long *FlashAttach*® reels, hydraulic reel lift, oil level monitor, power steering with tilt-wheel, one-piece seat with standard suspension and arm rests, headlights, 24 x 13.00 – 12 front tires, 18 x 9.5-8 rear tires. Less hydraulic cutting units, front rollers, and grass catchers.

067923	SLF 1880 2wd, 26 HP .....	2,125	\$23,831.00
067924	SLF 1880 4wd, 26 HP .....	2,200	26,782.00
067938	SLF 1880 4wd Turbo, 33 HP .....	2,250	28,485.00

**Super LF 1880 Cutting Units**

067933	(1) 8-blade, RH drive, 5-inch diameter x 18 inch <i>FlashAttach</i> ® fairway reel with heavy blade section, down-pressure springs, “shortened” 2-3/16 inch heavy duty rear roller (w/square scraper) and front roller adjuster brackets. Less front roller and hydraulic reel motors. (5 required per machine).....		\$1,292.00
067932	(1) 11-blade, RH drive 5-inch diameter x 18-inch <i>FlashAttach</i> ® fairway reel with light blade section, down-pressure springs, “shortened” 2-3/16 inch heavy duty rear roller (w/square scraper) and front roller adjuster brackets. Less front roller and hydraulic reel motors. (5 required per machine).....		1,335.00
067928	(1) <i>FlashAttach</i> ® Vertical Mower, .75-inch blade spacing, 2-3/16 inch heavy duty rear roller and 3-inch grooved steel front roller w/scraper. Less hydraulic motor and lift yoke. (5 required per machine).....		1,135.00
067934	(Set of 5) Vertical Mower Lift Yoke Kit. Lift yokes and mounting hardware to mount <i>FlashAttach</i> ® Vertical mowers to LF 1880.....		474.00

**Super LF 1880 Rollers**

068626	(1) 2-3/16” x 18” Solid tube front roller w/scraper (5 required per machine) .....		\$256.00
067925	(1) 3” x 18” Grooved Steel front roller w/scraper for 18-inch reels. (5 required per machine).....		208.00
068616	(1) 2-3/16” x 18” grooved machined steel roller (5 required per machine).....		220.00
068674	(1) 2-3/16” full-width, solid tube, rear roller w/ scraper (5 required per machine) .....		223.00

**Super LF 1880 Accessories**

067926	(1) Fairway Turf Groomer, .50-inch spacing w/grooved roller, LH drive. (5 required per machine) .....		\$1,511.00
066194	2-post ROPS with seat belts .....		759.00
068095	Canopy / Sunshade Kit .....		672.00
067930	(1) Grass Catcher, for 18-inch reels. (5 required per machine).....		176.00
067929	(1) Powered Rear Roller Cleaning Brush for 18-inch reel. (5 required per machine and not to be used with 068674) .....		335.00
067931	4wd Conversion Kit – Dealer Installed. Converts 2wd machine to 4wd. (Installation time approx. 6 hours) (Limited Availability).....		2,643.00
068634	15/16” Hi-Cut Roller Kit (5 required) includes 2 longer roller brackets, fits 67925, 68616 and 68626 rollers.....		61.00
4139431	Arm Rest Kit .....		64.00
4122456	Smooth front tire (2 required) .....		Call for pricing



# LF-3400™ / LF-3800™ Lightweight Fairway Mowers

Model Number	Description	Shipping Weight	GSA Price
--------------	-------------	-----------------	-----------

## LF-3400™ / LF-3800™ Lightweight Fairway Mowers

All machines feature a Kubota diesel engine, servo-controlled hydrostatic traction system, one-touch mower lift/lower system, hydraulic oil level monitor, FlashAttach® reel motors, power steering, high-backed seat w/arm rests and deluxe suspension. *Less cutting units and grass catchers.*

067945	LF-3400 - 2 WD, 31 horsepower .....	1,966	\$29,150.00
067946	LF-3400 - 4 WD, 31 horsepower .....	2,166	32,034.00
067949	LF-3400 Turbo - 4 WD, 44 horsepower.....	2,166	37,165.00
067947	LF-3800 - 2 WD, 36 horsepower .....	1,970	32,809.00
067948	LF-3800 - 4 WD, 36 horsepower .....	2,170	35,809.00
067950	LF-3800 Turbo – 4 WD, 44 horsepower .....	2,190	39,040.00
067951	LF-3407 – 2 WD, 31 horsepower .....	2,216	30,457.00
067952	LF-3407 – 4 WD, 31 horsepower .....	2,216	32,802.00

### LF-3400 (Only) Options and Attachments

067877	7-Blade, 5" diameter FlashAttach® reel, 2" heavy duty rear roller with scraper and 3" grooved steel front roller with scraper. <i>Less hydraulic motor (3 required).....</i>	105	\$1,565.00
067879	7-Blade, 5" diameter FlashAttach® reel, 2" heavy duty rear roller with scraper and 3" grooved steel front roller with scraper. <i>Less hydraulic motor (2 required).....</i>	105	1,565.00
068643	Powered rear roller cleaning brush (5 required) .....	8	380.00
067917	1-3/16" Height of Cut Assembly w/rear roller scraper rod. <i>(No rollers included) (5 required).....</i>	12	105.00
067894	5" diameter FlashAttach® vertical mower assembly, .75" spacing, front and rear rollers and lift yoke included. <i>Less motors.</i> <i>(3 required) .....</i>		1,291.00
067895	5" diameter FlashAttach® vertical mower assembly, .75" spacing, front and rear rollers and lift yoke included. <i>Less motors.</i> <i>(2 required) .....</i>		1,291.00
5003687	2½" x 20" Solid Tube Rear Roller .....		Call for pricing

**Note: For Turf Groomer® application and price, see Turf Groomer section (page 18) in this price list.**

### LF-3800 & LF-3407 (Only) Options and Attachments

067848	11-Blade, 7" diameter heavy-duty reel, heavy-duty 2-1/2" rear roller w/scraper and 3" grooved steel front roller w/scraper. <i>Less hydraulic motor (5 required).....</i>	162	\$1,756.00
067858	9-Blade, 7" diameter heavy-duty reel, heavy-duty 2-1/2" rear roller w/scraper and 3" grooved steel front roller w/scraper. <i>Less hydraulic motor (5 required).....</i>	155	1,746.00
067832	Powered Rear Roller Cleaning Brush (5 required) .....	17	424.00
067854	7" Diameter FlashAttach® Vertical Mower assembly (5 required), 1" spacing, front and rear rollers included. <i>Less motors and lift yokes. ....</i>	87	1,421.00
1003361	Lift Yoke Kit for 7" Diameter Vertical Mower Assembly (5 required) .....		Call for pricing
067919	RH Catcher Mounting Hardware Kit, required to mount 67891 catchers (3 required) .....	24	44.00
067920	LH Catcher Mounting Hardware Kit, required to mount 67891 catchers (2 required) .....	24	44.00
4113920	1-9/16" Hi-Cut Kit (5 required) .....		Call for pricing

(Continued on next page)



# LF-3400™ / LF-3800™ *Lightweight Fairway Mowers* (continued)

Model Number	Description	Shipping Weight	GSA PRICE
--------------	-------------	-----------------	-----------

### LF-3400 / LF-3800 Common Options and Accessories

068096	2-Post ROPS .....		\$695.00
068095	Canopy / Sunshade Kit.....	52	573.00
067891	Grass Catcher, (5 required) - <i>Catcher mounting hardware kits</i> required for LF-3800; no mounting kit required on LF-3400.....	101	192.00
5003111	Transport Lock Bars ( <i>required for CE approval</i> ).....		Call for pricing
1004049	Hood Locking Latch ( <i>required for CE approval</i> ).....		Call for pricing

### LF-3400 / LF-3800 Allied Accessories and Attachments

The following attachments have been designed and approved for use on the LF-3400/LF-3800. Call for pricing.

Ballcage, w/6-post ROPS and Seat Belt



# LF-4675™ / LF-4677™ Lightweight Fairway Mowers

Model Number	Description	Shipping Weight	GSA PRICE
--------------	-------------	-----------------	-----------

## LF-4675™ / LF-4677™ 7-Gang Lightweight Fairway Mowers

All machines feature a Kubota turbo-charged diesel engine, servo-controlled hydrostatic traction system, one-touch mower lift/lower system, hydraulic oil level monitor, FlashAttach® reel motors, power steering, battery, high-backed seat w/arm rests and deluxe suspension. *Less mowers, front rollers and grass catchers.*

067915	LF-4675 Turbo - 4 WD, 44 horsepower.....	2,575	\$41,777.00
067916	LF-4677 Turbo - 4 WD, 44 horsepower.....	2,660	42,386.00

### LF-4675 (Only) Options and Attachments

067877	7-Blade, 5" diameter FlashAttach® reel, 2" heavy duty rear roller with scraper and 3" grooved steel front roller with scraper. <i>Less hydraulic motor (4 required).....</i>	105	\$1,565.00
067879	7-Blade, 5" diameter FlashAttach® reel, 2" heavy duty rear roller with scraper and 3" grooved steel front roller with scraper. <i>Less hydraulic motor (3 required).....</i>	105	1,565.00
068643	Powered rear roller cleaning brush (7 required).....	8	380.00
067917	1-3/16" Height of Cut Assembly w/rear roller scraper rod. <i>(No rollers included) (7 required).....</i>	12	105.00
067894	5" diameter FlashAttach® vertical mower assembly, .75" spacing, front and rear rollers and lift yoke included. <i>Less motors.</i> <i>(4 required).....</i>		1,291.00
067895	5" diameter FlashAttach® vertical mower assembly, .75" spacing, front and rear rollers and lift yoke included. <i>Less motors.</i> <i>(3 required).....</i>		1,291.00
5003687	2½" x 20" Solide Tube Rear Roller .....		Call for pricing

### LF-4677 (Only) Options and Attachments

067848	11-Blade, 7" diameter heavy-duty reel, heavy-duty 2-1/2" rear roller w/scraper and 3" grooved steel front roller w/scraper. <i>Less hydraulic motor (7 required).....</i>	162	\$1,756.00
067858	9-Blade, 7" diameter heavy-duty reel, heavy-duty 2-1/2" rear roller w/scraper and 3" grooved steel front roller w/scraper. <i>Less hydraulic motor (7 required).....</i>	155	1,748.00
067832	Powered Rear Roller Cleaning Brush (7 required).....	17	424.00
067854	7" Diameter FlashAttach® Vertical Mower assembly (7 required), 1" spacing, front and rear rollers included. <i>Less motors and lift yokes. ....</i>	87	1,421.00
067919	RH Catcher Mounting Hardware Kit, required to mount 67891 catchers (4 required) .....	24	44.00
067920	LH Catcher Mounting Hardware Kit, required to mount 67891 catchers (3 required) .....	24	44.00
4113920	1-9/16" Hi-Cut Kit (7 required) .....		Call for pricing

(Continued on next page)



# LF-4675™ / LF-4677™ Lightweight Fairway Mowers (Continued)

Model Number	Description	Shipping Weight	GSA PRICE
--------------	-------------	-----------------	-----------

## 4675 / 4677 Common Options and Accessories

068096	2-Post ROPS for new seats .....		\$695.00
068095	Canopy / Sunshade Kit .....		672.00
067891	Grass Catcher, (7 required) - <i>Catcher mounting hardware kit</i> required for LF-4677; no mounting kit required on LF-4675.....	10	192.00
5003111	Transport Lock Bars ( <i>required for CE approval</i> ).....		Call for pricing
1004049	Hood Locking Latch ( <i>required for CE approval</i> ).....		Call for pricing
1003361	Lift Yokes .....		Call for pricing

## Allied Accessories and Attachments

The following attachments have been designed and approved for use on the LF-4675/LF-4677. Call for pricing.

Ballcage, w/6-post ROPS and Seat Belt

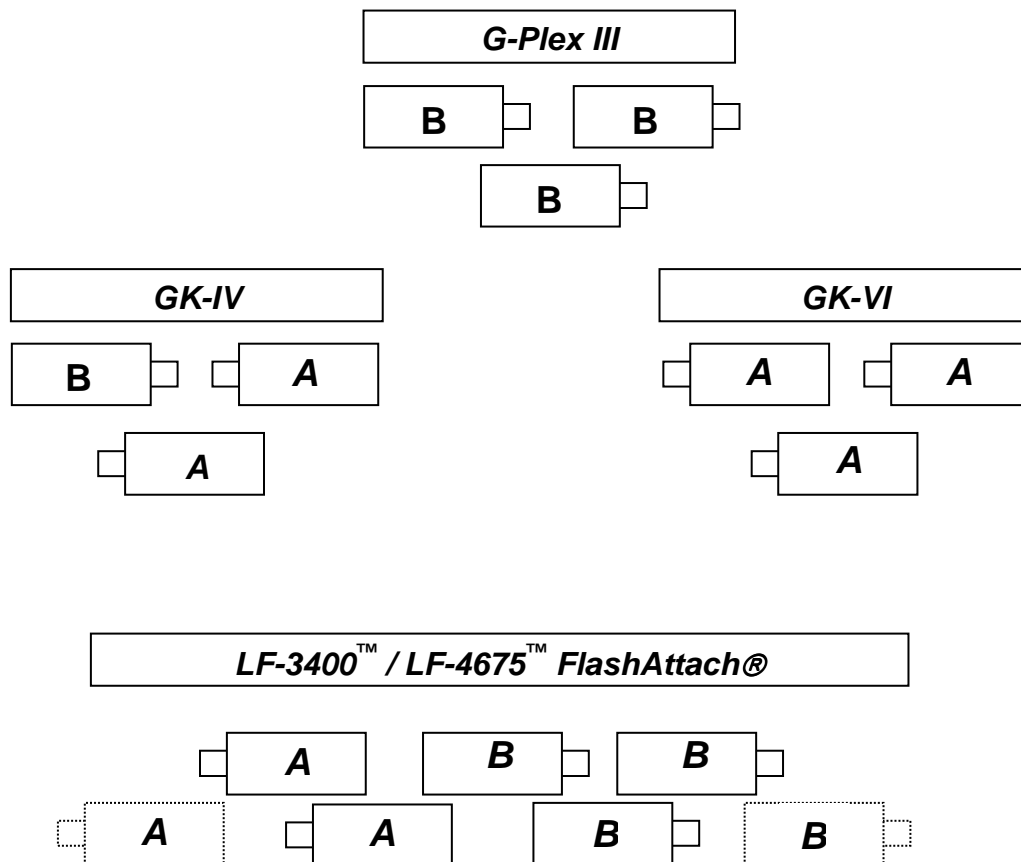


Model Number	Description	Shipping Weight	GSA PRICE
--------------	-------------	-----------------	-----------

**Turf Groomers**

067911	(1) Turf Groomer®, .25" spacing w/grooved roller, right hand drive, use in position A*. (replaces 67809).....	35	\$1,642.00
067912	(1) Turf Groomer®, .25" spacing w/grooved roller, left hand drive, use in position B*. (replaces 67834).....	35	1,642.00
067913	(1) Turf Groomer®, .50" spacing w/grooved roller, right hand drive, use in position A. (replaces 67811) .....	35	1,642.00
067914	(1) Turf Groomer®, .50" spacing w/grooved roller, left hand drive, use in position B. (replaces 67835) .....	35	1,642.00

\* - .25" spacing recommended for greens applications only.





Model Number	Description	Shipping Weight	GSA PRICE
--------------	-------------	-----------------	-----------

**600 Series Turfcats® Tractors**

600 Series models feature a Kubota liquid-cooled engine, variable displacement pump, power steering, fuel gauge, temperature gauge, hour meter, warning system, tow hitch, oil pressure and alternator light, 23 x 10.50 front tires, 18 x 8.50 rear tires, rear bumper, battery and deluxe seat. (Counterweight standard on 2WD model 946713). *Does not include cutting deck.*

0946713	628 Turfcats, 26 hp Kubota diesel, hydraulic deck drive, 2-wheel drive ....	1,484	\$14,205.00
0946714	628 Turfcats, 26 hp Kubota diesel, hydraulic deck drive, 4-wheel drive ....	1,559	15,911.00

**600 Series Turfcats Attachments**

**600 Series Hydraulic Deck Drive - Dealer Installed – Includes mounting kit & pneumatic casters**

956023	Cutting deck, 60" rear discharge hyd. drive Black.....	567	\$2,712.00
956314	Cutting deck, 63" side discharge hyd. drive Black.....	617	2,712.00
957238	Cutting deck, 72" Envirodeck – hyd. drive Black.....	616	3,698.00
957234	Cutting deck, 72" rear discharge hyd. drive Black.....	606	3,202.00
957233	Cutting deck, 72" side discharge hyd. drive Black.....	640	3,202.00
956025	Flail Mower, 60" hydraulic drive.....	385	3,627.00
970211	Traction assist/steering brakes, hydraulic.....	12	254.00
970116	Differential lock kit (for 946713 only).....	20	791.00

**Common Attachments – Dealer Installed**

148098	Exhaust spark arrestor (required in California).....	3	Call for pricing
970017	Leaf mulcher (for 72" side discharge cutting deck).....	50	372.00
970078	ROPS, 2 post.....	71	743.00
970114	Tie down brackets.....	5	69.00

**Note: Recommended counter weights are standard; for additional weights Call for pricing # 970124**



# Jacobsen 600 Series Turfcats<sup>®</sup> Tractors (continued)

Model Number	Description	Shipping Weight	GSA PRICE
--------------	-------------	-----------------	-----------

## 600 Series Turfcats Allied Attachments

The following attachments have been designed and approved for use on Turfcats. Call for pricing.

<b>Rotary Brush / Front Blades</b> <b>Cab</b> <b>Sun Shades</b> <b>Debris Blower (Gear Box Units Only)</b>	<b>Snow Blower (600 Series Turfcats only) Additional counterweight may be required. Call for pricing.</b> <b>Buffalo Turbine LLC Debris Blower</b>
---	---



# HR-4600™ Turbo Triplex Rotary Mower

Model Number	Description	Shipping Weight	GSA PRICE
--------------	-------------	-----------------	-----------

## HR-4600™ Turbo

All HR-4600 tractors feature a 44.2 hp Kubota turbo-charged diesel engine, servo-controlled hydrostatic traction system, hydraulic rotary deck drive with individual deck lift system, hydraulic oil level monitor, power steering with tilt wheel, high-back seat with arm rests and deluxe suspension, battery, pneumatic caster wheels and all cutting decks.

067863	HR-4600 Turbo 4WD.....	2,930	\$39,842.00
--------	------------------------	-------	-------------

## HR-4600 Turbo Options and Accessories

068096	ROPS, 2 post .....		\$695.00
068095	Canopy / Sunshade Kit.....	52	672.00
1004049	Hood Locking Latch (required for CE approval) .....		Call for pricing



Model Number	Description	Shipping Weight	GSA PRICE
--------------	-------------	-----------------	-----------

**HR-6010™ Rotary Mower**

60 hp Perkins liquid-cooled engine, with one 61" center deck attached (includes antiscalp rollers), hydraulic cylinders and brackets, servo controlled 4-wheel drive series parallel system, wet disc parking brake, automatic weight transfer, power steering, deluxe Grammer suspension seat with arm rests, 24.00 x 13.00 – 12 front tires, 20.00 x 10.00 - 8 rear tires.

LHAK003	HR-6010 WINGED ROTARY MOWER, 60 hp Diesel .....	3,000	\$39,010.00
---------	---	-------	-------------

***Wing Decks are factory installed but must be ordered with the LHAK003.***

LMAB984	41" Wing cutting decks for 10'7" cutting width (1 pair).....	550	6,000.00
---------	--	-----	----------

**HR-6010 Accessories (Dealer Installed)**

970268	Leaf mulching kit for 41" Wings and 61-inch center deck (fits 951, 9510, or 6010 decks).....		786.00
LMAC135	Light kit, deluxe .....		1,005.00
970018	ROPS, 2 post with seat belt, certified.....		677.00

***Note: For the HR-6010 and its accessories, please expect a 60-day lead time from the date of order due to shipment time from Ipswich. Please plan orders accordingly.***

**Allied Attachments**

The following attachments have been designed and approved for use on the HR-6010. Call for pricing.

**Rotary Brush / Front Blades**

**Snow Blower:**

**Cab**

**Sun Shades**



Model Number	Description	Shipping Weight	GSA PRICE
--------------	-------------	-----------------	-----------

**HR-5111™**

All HR-5111 tractors feature a 49.5 hp Kubota Diesel engine, 2 WD / 4 WD hydrostatic traction system, hydraulic rotary deck drive with individual 1-2-3 decks lift system, pneumatic caster wheels, power steering with tilt wheel, high back suspension seat with arm rests, battery and ROPS with seat belt.

069116	HR-5111 Tractor.....	3,645	\$46,794.00
--------	----------------------	-------	-------------

**HR-5111 Options and Accessories**

069123	(Set of 3) Mulcher kit for each rotary blade of the three decks.....	32	\$1,133.00
069128	(Set of 2) Fender mounted working light kit (HR-5111 pre-wired).....	4	184.00
068095	Canopy / Sunshade Kit .....		672.00
2811453	CareFree Tire™ kit.....		Call for pricing
970198	High Lift blade kit.....		Call for pricing

**HR-5111 Allied Attachments**

The following attachments have been designed and approved for use on the HR-5111. Call for pricing.

- Cab/Cab Accessories
- Brush/Sweeper
- Snow Blower



# HR-9016™ Turbo Wide Area Rotary Mower

Model Number	Description	Shipping Weight	GSA PRICE
--------------	-------------	-----------------	-----------

## HR-9016™ Turbo

All HR-9016 tractors feature a 90 hp Kubota Diesel engine with cold start kit included, 2 WD (transport) / 4 WD (mow) servo-controlled hydrostatic traction system, hydraulic rotary deck drive with individual 1-2-3 decks lift system, power steering with tilt wheel, deluxe seat with air-ride suspension, batteries, pneumatic caster wheels and all cutting decks.

070528	HR-9016 Turbo Tractor. ....	6,350	\$70,362.00
070529	HR-9016 Turbo Tractor w/2-post ROPS and seat belt.....	6,600	71,489.00

### HR - 9016 Turbo Options and Accessories

071055	Leaf Mulcher Kit ( <i>Complete for three decks</i> ) .....	75	\$1,538.00
078138	2-Post ROPS with seatbelt. ....	250	1,029.00
078154	Road Package Kit (includes flashers, turn signals, taillight..... and (2) headlights (5003564 required)	35	902.00
078155	Working Light Kit (5003564 required) .....	25	440.00
068095	Canopy / Sunshade Kit .....	52	672.00
067888	Cruise Control Kit .....	5	474.00
5003564	Accessory Harness Kit .....	7	Call for pricing
2811453	Carefree Tire™ kit .....		Call for pricing
2812307	Rear steering wheel weight kit (130# each) .....		Call for pricing
3007759	High lift cutter bar ( <i>11 required</i> ).....		Call for pricing

### HR- 9016 Turbo Allied Accessories and Attachments

The following attachments have been designed and approved for use on the HR-9016 Turbo. Call for pricing.

Cab, Cab accessories and Cab with Air-conditioner

Brush/Sweeper

Snow Blower



## AR-5 Fine Cut Rotary Mower

Model Number	Description	Shipping Weight	GSA PRICE
--------------	-------------	-----------------	-----------

### AR-5 Fine Cut Rotary Mower

The AR-5 features a Kubota turbo-charged 60 hp diesel engine, servo controlled parallel series 4-wheel drive hydrostatic traction system, added traction feature with traction control feature, full suspension high back seat with under seat storage compartment and arm rests. Includes five 23" Envirodecks with quick change rear discharge capability, full width rear roller with scraper.

068080	AR-5 .....		\$42,008.00
068096	ROPS, 2 post .....		695.00

### AR - 5 Options and Accessories

4137186	High Lift Blade .....	Call for pricing	
(N) 4151879	Wheel weight Kit, (2) 100 lbs weights .....		534.00
068095	Canopy / Sunshade Kit .....		672.00



Model Number	Description	Shipping Weight	GSA PRICE
--------------	-------------	-----------------	-----------

**214 Verticut (Ex Works Charlotte, NC)**

USA001	3-point Tractor mounted, PTO driven, self-contained hydraulic system, 3 – 30” hydraulic driven verticut heads .....	1200	\$14,376.00
--------	--	------	-------------



Model Number	Description	Shipping Weight	GSA PRICE
--------------	-------------	-----------------	-----------

**GREENSAIRE® 24**

058230	GA 24 Greens Aerator w/24" width, 8 hp Briggs & Stratton Intek engine, Operator Presence Control, Turf Guard, tine holder assemblies and ½" tines - includes (12) ½" coring tines (517488) .....	820	\$11,740.00
--------	--	-----	-------------

**Accessories for GA24**

4116986	Quad coring tines (523864) with turf guard and holders .....	20	\$501.00
4116987	Quad solid tines (523863) with turf guard and holders.....		414.00
4116989	Turf guard, less tines.....		160.00
0544918	Windrow – fits all models including with or without OPC .....		429.00

**Tines for GA 24**

**COMMONLY USED TINES**

517486	1/4" ID Coring Tines .....		Call for Pricing
517487	3/8" ID Coring Tines .....		Call for Pricing
517488	1/2" ID Coring Tines .....		Call for Pricing
517489	5/8" ID Coring Tines .....		Call for Pricing
523863	1/4" ID Solid Tines .....		Call for Pricing
523864	1/4" ID Side Eject Coring Tines.....		Call for Pricing

Note: Machine comes standard with (6) 547860 tine holder assemblies for all 5/8" OD tine varieties. Use of ¾" OD tines requires (6) 547861 tine holder assemblies. Use of ½" OD Quad tines requires (6) 547849 tine holder assemblies.